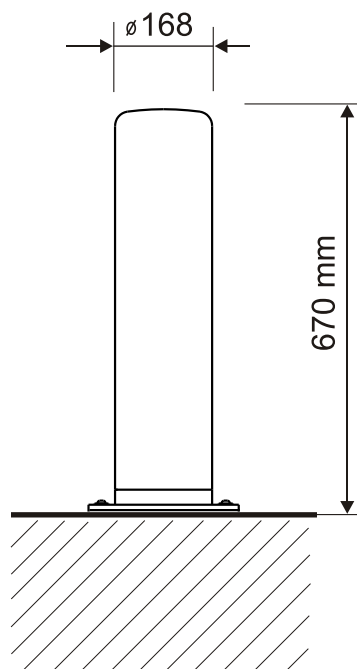


GUARD TUBE



DESCRIPTION:

Body:	fully heat and UV stabilised, frost - hardy, long operating life, fully recyclable
Body colour:	white
Baselight:	zinc galvanised steel
Ingress protection:	IP 55
El. protection:	class I
Power supply:	230V 50Hz
Lamp:	compact fluorescent lamp max. 40W / E27



USING: pilot lighting, garden illumination, access roads