

### GUARD MINI ANTIVANDAL

**DESCRIPTION of the luminary:**

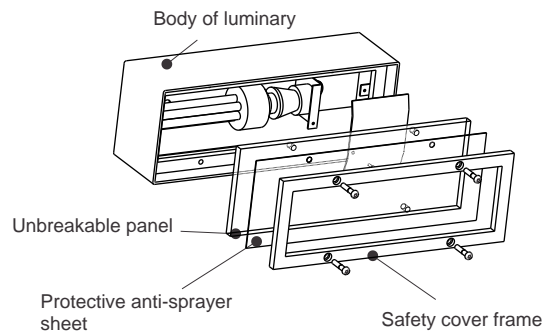
**Body:** a steel box with massive improvements on sides.

**Safety cover frame:** stamping steel with rubber sealing (for reaching protection degree IP65), protection degree against outside mechanical impacts higher than IK 10+++

**Finishing:** powder coated white (other colours RAL at request)

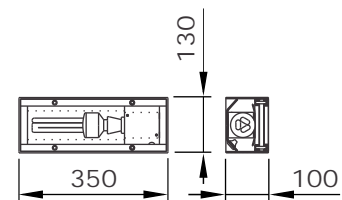


**Safety elements:** body is connected to the base with 2 bolts M10. Safety cover is fixed with 4 screws, two of them have a safety bolt-head. Anchor bolts are not accessible without demounting a safety cover. Glazing: totally unbreakable - even brute force cannot cause damage or breakdown of the luminary. Protective anti-sprayer sheet preserves glazing against graffiti.



**Glazing:** special unbreakable material with anti-sprayer sheet

**Electro-equipment:** rustless optical panel with electro-equipment for 1x23W



**Lighting-technical proposal:** the lighting-technical proposal for dislocation of luminaires according to requested quality of illumination is the part of delivery.

IP 65  
IK 10+++

Light source: 1x E27  
LED

**USAGE:**

- illumination of rooms extremely endangered by vandalism
- mounting into pedestrian underpasses and subways for cars, tunnels, underground stations, platforms of railway stations, etc.
- convenient also for industrial and production rooms with high humidity and dustiness and material flying away, garages, stores, air-blast boxes, etc.
- efficient design of the luminaire enables variable inbuilding and connection of luminaires

Source	Weight(kg)	Model number
1x23W	6,7	GUARD MINI 1x23W /E27