

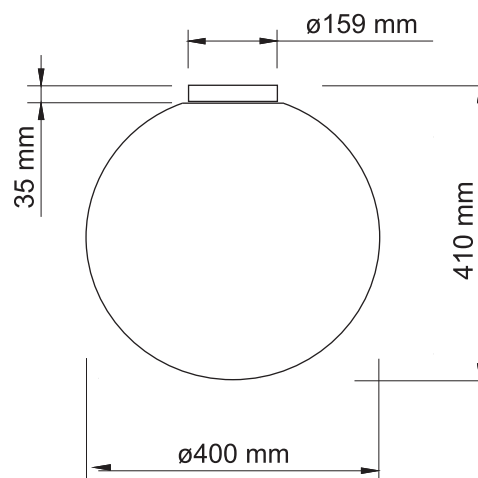
MOON BALL



USE:

Interiors:

- schools
- canteens
- public buildings
- offices
- corridors
- and others...



Protection degree:	IP 44
Diffuser:	UV stabilized plastic
Lampshade colour:	white
Power supply:	230V 50Hz
Lamp:	compact fluorescent 23W / E27
Holder:	steel
Finishing of holder:	powder coated RAL

- Ceiling light in the shape of a ball with a diameter of 40 cm perfectly shines the light into the room, does not glare and provides natural lighting across the room.
- The lampshade is made of UV stabilized plastic. In comparison with glass diffuser the plastic lampshade is much more safer. Therefore is suitable for public spaces such as schools, canteens, offices, corridors, etc.
- Simple and functional design gives the proper elegance.